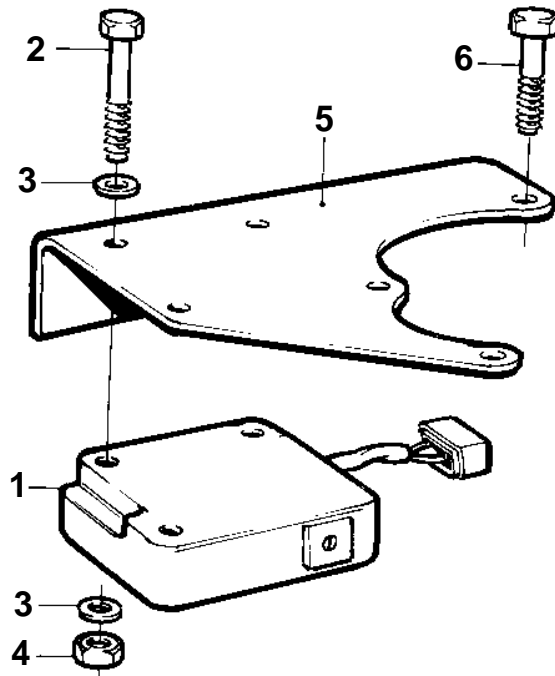


TMD31A,TAMD31A,AQAD31A,AD31A



9612

TMD31A,TAMD31A,AQAD31A,AD31A

REF	PART NO.	QTY	DESCRIPTION	NOTES
1	858760	1	Microswitch	
2	955232	3	Screw	
3	955891	3	Washer	TH = 0,8 MM
	960137	3	Washer	TH = 1,0 MM
4	963103	3	Lock nut	
5	858756	1	Bracket	
6	946544	3	Flange screw	